

The 4500 Series has a one-year warranty.

[Specifications and Information](#)

[Download the 4500 Series Data Sheet \(PDF format\)](#)

[Solder and Cleaning Specification \(PDF Format\)](#)

[Truth Table \(PDF Format\)](#)

3500 Series



The 3500 series MICRO-DIP® is a low profile, fully sealed rotary DIP switch designed for use with today's automatic soldering and cleaning processes. Featuring direct decimal to binary conversion, the 3500 MICRO-DIP is a non-volatile means of addressing PROMs and other memory devices. The 3500 series offers six binary and decimal codes, with extended shaft and right angle orientations for maximum design flexibility. The 3500 series also includes the first rotary DIP switch designed specifically for SCSI bus control.

The 3500 series is covered by **EECO's EXCLUSIVE LIFETIME WARRANTY.**

2300 Series



An EECO innovation, the 2300 series MICRO-DIP® family includes the industry's only double pole rotary DIP switch. Ideal for CMOS logic applications, the 2300 series double pole switch offers a unique output arrangement in which all four outputs bits are always connected to one of two independent commons. This allows the use of a single pull-up resistor instead of four, as would be required by a conventional DIP switch. The 2300 series includes 10 and 16 position double pole models, and a 10 position right angle version. The double pole switches are available with optional process seals for wave soldering, and all are color coded for easy identification.

The 2300 series is covered by **EECO's EXCLUSIVE LIFETIME WARRANTY.**



2300 SERIES MICRO-DIP® PRINTED CIRCUIT BOARD SWITCHES

An EECO innovation, the 2300 Series MICRO-DIP® family includes the industry's only double pole rotary DIP switch.

Ideal for CMOS applications, the **2300 Series** double pole switch offers a unique output arrangement in which all four bits are always connected to one of the two commons, allowing the use of a single pull-up resistor instead of 4 as required by conventional DIP switches. The **2300 Series** includes 10 and 16 position double pole models, plus a 10 single pole right angle version. The double pole switches are available with process seals for wave soldering, and all **2300 Series** are color coded for easy identification. The **2300 Series** is covered by EECO's exclusive **Lifetime Warranty**.

All **2300 Series** products are **Lead-Free** and fully **RoHS compliant**.



SPECIFICATIONS

MECHANICAL

No. of Switching Positions	10 & 16
Life	10,000 Detents at +25°C
Rotational Torque (Initial)	1.0 - 2.5 Inch/Ounces
Terminal Strength	Pull 3 Pounds, Push 3 Pounds, for 15 Seconds
Weight	0.03 Oz (.85 Gr.).

ELECTRICAL

Maximum Electrical Current, Non-Switching	1A
Maximum Rated Load, Switching	100 mA at 5 VDC Resistive
Contact Resistance (Initial)	100 mΩ Maximum
Insulation Resistance	1,000 MΩ Minimum At 100 VDC
Dielectric Withstanding Voltage	250 VAC (RMS)

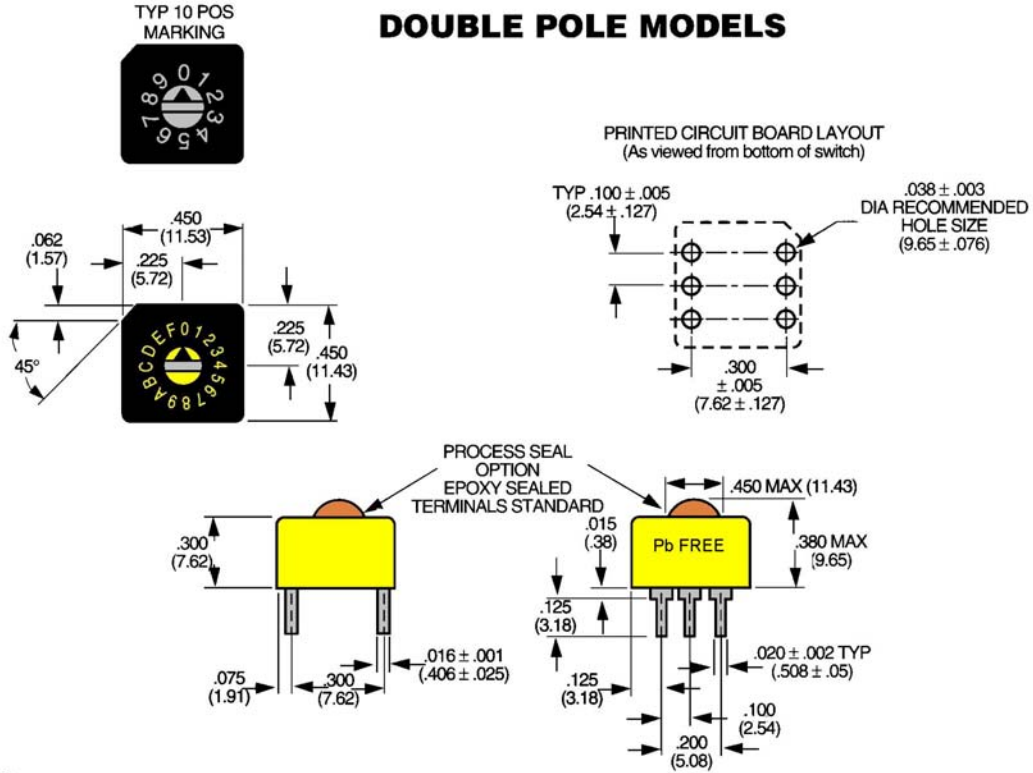
ENVIRONMENTAL

Operating Temperature	-25°C To +85°C
Storage Temperature	-55°C To +100°C
Seal (DP Models)	Top: Removable Plastic Bottom: Epoxy

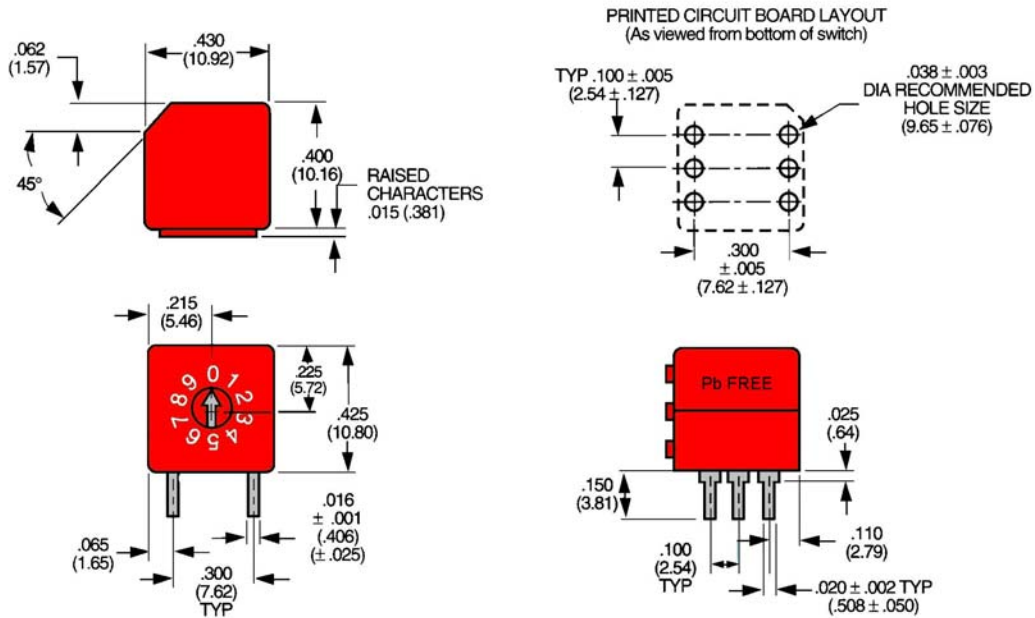
MATERIALS

Housing and Base	Glass Reinforced 6/6 Nylon, UL 94 V0
Contact	Copper Alloy Base, Gold Over Nickel Plate
Terminal	Matte Tin With Whisker Inhibitors Over Nickel Plate

DOUBLE POLE MODELS



SINGLE POLE, 10 POSITION SIDE ADJUST MODEL



TRUTH TABLES

B02

BCD 1 Pole 10 Position	
D I A L	Common (C) connected to terminals indicated
	1 2 4 8
0	
1	●
2	●
3	● ●
4	●
5	● ●
6	● ●
7	● ● ●
8	●
9	● ●

231002G

D02

BCD 2 Pole 10 Position Sep Com to NT Bits	
D I A L	Common C (●) and C (★) connected to terminals indicated
	1 2 4 8
0	★ ★ ★ ★
1	● ★ ★ ★
2	★ ● ★ ★
3	● ● ★ ★
4	★ ★ ● ★
5	● ★ ● ★
6	★ ● ● ★
7	● ● ● ★
8	★ ★ ★ ●
9	● ★ ★ ●

**230056GB
230056GP**

D06

2 Pole Binary with Sep Com to NT Bits	
D I A L	Common C (●) and C (★) connected to terminals indicated
	1 2 4 8
0 0	★ ★ ★ ★
1 1	● ★ ★ ★
2 2	★ ● ★ ★
3 3	● ● ★ ★
4 4	★ ★ ● ★
5 5	● ★ ● ★
6 6	★ ● ● ★
7 7	● ● ● ★
8 8	★ ★ ★ ●
9 9	● ★ ★ ●
A 10	★ ● ★ ●
B 11	● ● ★ ●
C 12	★ ★ ● ●
D 13	● ★ ● ●
E 14	★ ● ● ●
F 15	● ● ● ●

**230057GB
230057GP**

TERMINAL IDENTIFICATION

MODEL NUMBER	231002G	230056GB	230057GB																		
CODE	B02	D02	D06																		
COLOR	RED	GRAY	YELLOW																		
TERMINAL I.D. AS VIEWED FROM BOTTOM OF SWITCH	<table border="1" style="width: 100px; height: 100px;"> <tr><td>18</td><td>11</td></tr> <tr><td>1C</td><td>1C</td></tr> <tr><td>12</td><td>14</td></tr> </table>	18	11	1C	1C	12	14	<table border="1" style="width: 100px; height: 100px;"> <tr><td>18</td><td>11</td></tr> <tr><td>1★C</td><td>1●C</td></tr> <tr><td>12</td><td>14</td></tr> </table>	18	11	1★C	1●C	12	14	<table border="1" style="width: 100px; height: 100px;"> <tr><td>18</td><td>11</td></tr> <tr><td>1★C</td><td>1●C</td></tr> <tr><td>12</td><td>14</td></tr> </table>	18	11	1★C	1●C	12	14
18	11																				
1C	1C																				
12	14																				
18	11																				
1★C	1●C																				
12	14																				
18	11																				
1★C	1●C																				
12	14																				
HOUSING MARKING	0 THRU 9	0 THRU 9	0 THRU 9 A THRU F																		
NO. OF POSITIONS	10 POSITION	10 POSITION	16 POSITION																		

NOTES:

1. Views shown are of bottom (Terminal side) of switch.
2. For all single pole codes only. "C" terminals must be connected together external to switch.
3. ● C True Common
4. ★ C Complement Common

PART NUMBERS AND FEATURES

PART NUMBER	SWITCH DESCRIPTION	NUMBER OF POSITIONS	TRUTH TABLE	COLOR CODE
SINGLE POLE BINARY				
231002G	Right Angle Mount BCD	10	B02	Red
DOUBLE POLE BINARY				
230056GB 230056GP	Double Pole Binary With Separate Common To Not True Bits	10	D02	Gray
230057GB 230057GP	Double Pole Binary With Separate Common To Not True Bits	16	D06	Yellow

SEALING PROVISIONS

PART NUMBER	DUST SEAL	BOTTOM EPOXY SEAL	REMOVABLE TOP PROCESS SEAL
231002G	●		
230056GB		●	
230056GP		●	●
230057GB		●	
230057GP		●	●

Refer to EECO Switch document "Soldering and Cleaning Specifications" for additional processing information.

RoHS COMPLIANCE

EECO Switch is fully committed to complying with the European Lead-Free and RoHS directives. All EECO 2300 Series switches marked the "Pb-Free" logo on the body of the part are Lead-Free and RoHS compliant.